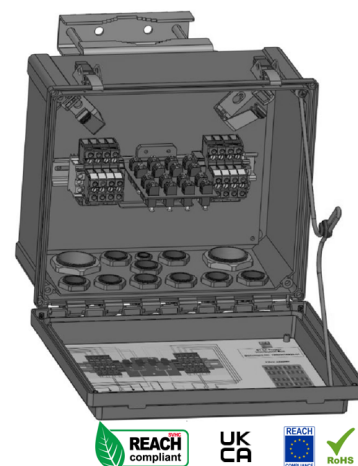




RFS' HYBRIFLEX™ cabling solution for Remote Radio Unit (RRU) combines optical fiber and DC power for RRUs in a single lightweight aluminum corrugated cable, making it the world's most innovative solution for RRH deployments. It was developed to reduce installation complexity and cost at Cellular sites.

HYBRIFLEX™ cabling solutions allows mobile operators deploying RRU architecture to standardize RRU installation process and eliminates the need for and the cost of cable grounding.

HYBRIFLEX™ Distribution Box is part of the cabling solution for Remote Radio Units. It is mounted at the top of a tower near the RRUs and acts as an interface between the riser cable and the jumper cable



FEATURES / BENEFITS

- Suitable for Outdoor or Indoor
- Up to 12 weather resistant glands
- Tethered and removeable lid

[External Document Links](#)

[Notes](#)

[Mounting Instruction](#)

Technical features

GENERAL SPECIFICATIONS

Product Type		Hybriflex Distribution Box
---------------------	--	----------------------------

MECHANICAL SPECIFICATIONS

Material		UV resistant Polycarbonate
Weight	kg (lb)	3.2 (7.055)
Dimensions (LxWxD)	mm (in)	343 x 293 x 172 (13.5 x 11.54 x 6.77)
Mounting		Poles, Cable ladders, Walls (see mounting instructions for details)
Type of DC Terminal		Screw terminal

TESTING AND ENVIRONMENTAL

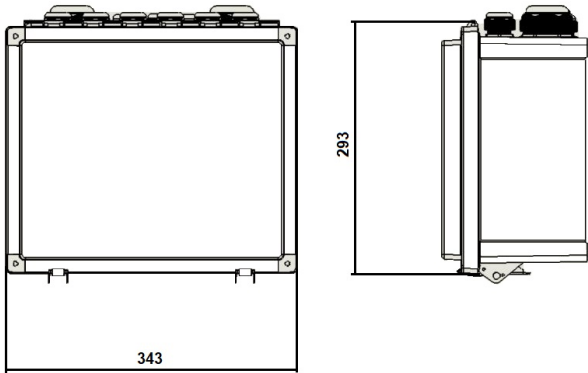
Storage Temperature	°C (°F)	-40 to 70 (-40 to 158)
Operation Temperature	°C (°F)	-40 to 70 (-40 to 185)
Installation Temperature	°C (°F)	-20 to 50 (-4 to 122)
Standard		Wind Resistance to DIN 1055-4, Vibration and Shock test to IEC 60068-2-6, UV to ISO4892-2

CABLES SUPPORTED

Supported F/O Connections		16 pairs DLC
Supported DC Connections		8 pairs
Number of Cables supported		12
Gland Sizes		1xPG7: 3-6 mm, 8xPG21: 13-18mm, 1xPG25: 10-21mm, 1xPG36: 22-32mm, 1xPG36s 17-32mm

ELECTRICAL SPECIFICATIONS

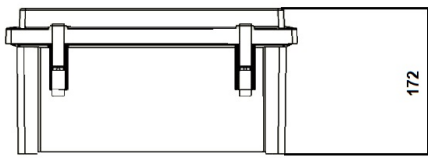
Protection Class		IP67
-------------------------	--	------



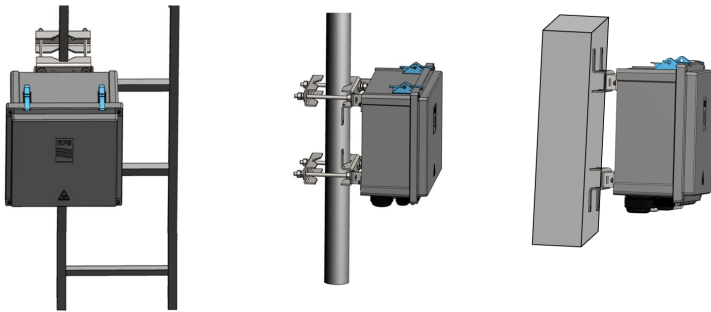
Gland Layout - Viewed from outside



	1	2	3	4	5
Gland type	PG7	PG21	PG25	PG36	PG36s
Cable Diameter (mm)	3 - 6	13 - 18	10 - 21	22 - 32	17 - 32



External Dimensions



Mounting options