



The AOPC is a field installable sealing kit which fits over the fiber jumper from RFS and can be installed in the field on site.

This sealing kit fits to the RRUs from Nokia. In the Kit are different diameters of sealings for different diameters of cables.

The diameter of the supported cables are 4 (3,8 - 4,2 mm), 5 (4,8 - 5,2 mm), 6 (5,3 - 6,2 mm) and 7 (6,8 - 7,2 mm).



**FEATURES / BENEFITS**

- flexible handling of the fiber jumper because of field installable sealing

**Technical features**

**GENERAL SPECIFICATIONS**

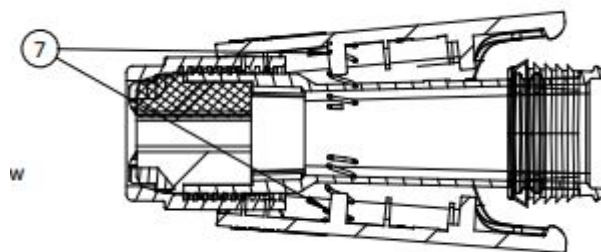
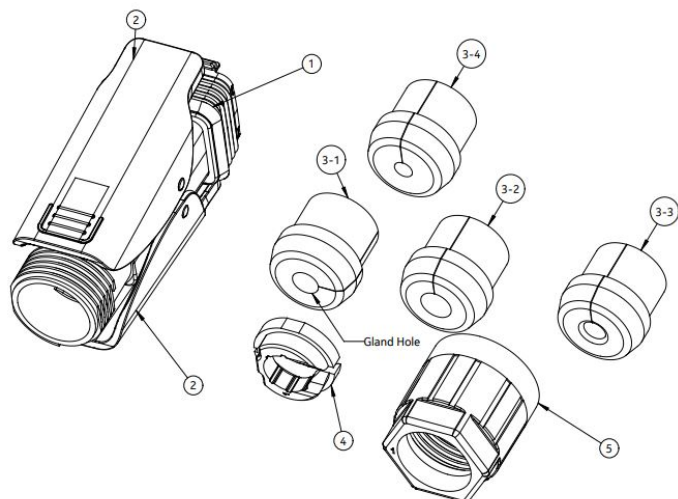
<b>Product Type</b>		Sealing Kit
---------------------	--	-------------

**MECHANICAL SPECIFICATIONS**

<b>Material</b>		Plastic with rubber inlets
<b>Weight</b>	kg (lb)	0.036 (0.079)

**TESTING AND ENVIRONMENTAL**

<b>Storage Temperature</b>	°C (°F)	-20 to 50 (-4 to 122 )
<b>Operation Temperature</b>	°C (°F)	-40 to 75 (-40 to 167 )
<b>Installation Temperature</b>	°C (°F)	-20 to 60 (-4 to 140 )
<b>Sealing Class</b>		IP67
<b>UV-Protection</b>		Yes





External Document Links

[Installation Instruction](#)

Notes